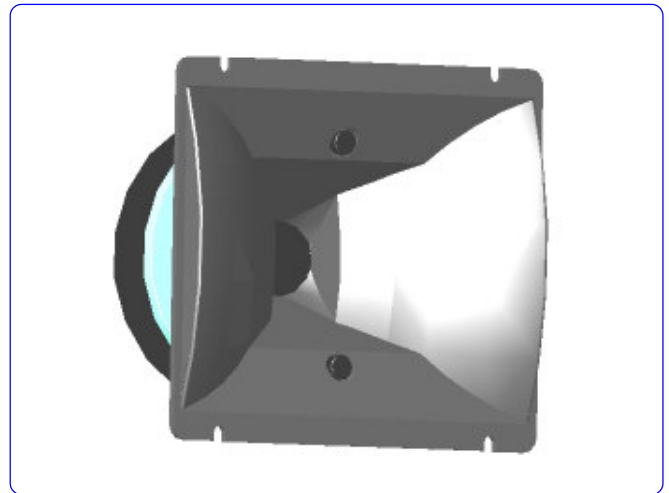


### KEY FEATURES

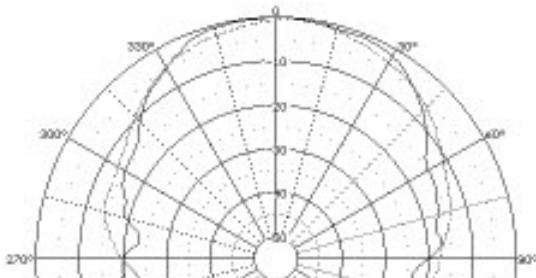
- High sensitivity: 107 dB
- Extended frequency range: 0.8 - 18 kHz
- Low harmonic distortion
- 1.75" aluminium voice coil with polyimide former
- Excellent power handling: 50 w AES above 1.5 kHz
- 80° x 60° horn



### GENERAL DESCRIPTION

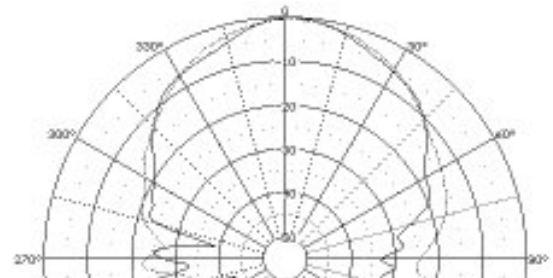
This combination of 1" compression driver and 80° x 60° horn is directed for the use in compact 2 way cabinets. The compression driver features a lightweight mylar diaphragm attached to an edgewound aluminium wire voice coil, providing a wide and smooth frequency response, with reduced harmonic distortion and excellent efficiency. The coil-diaphragm assembly is easily field replaceable without soldering. The 80° x 60° horn assures a good dispersion control in a wide frequency range.

#### HORIZONTAL POLAR PATTERN



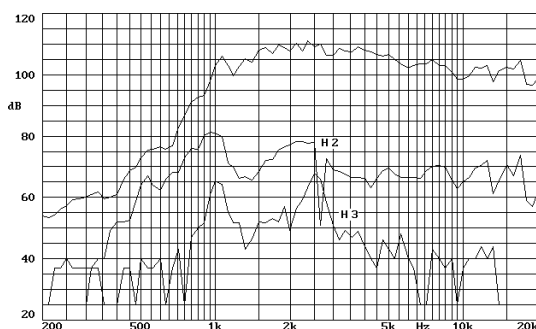
Note: Discontinuous line: 6 kHz, Heavy line: 12 kHz

#### VERTICAL POLAR PATTERN

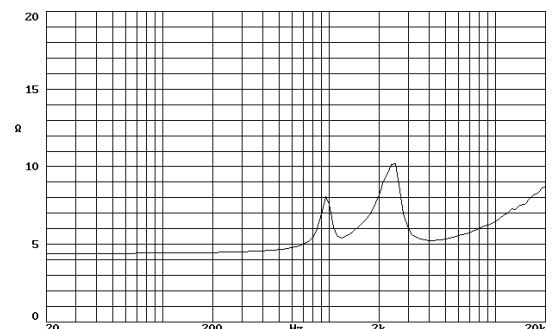


Note: Discontinuous line: 6 kHz, Heavy line: 12 kHz

#### FREQUENCY RESPONSE AND DISTORTION CURVES



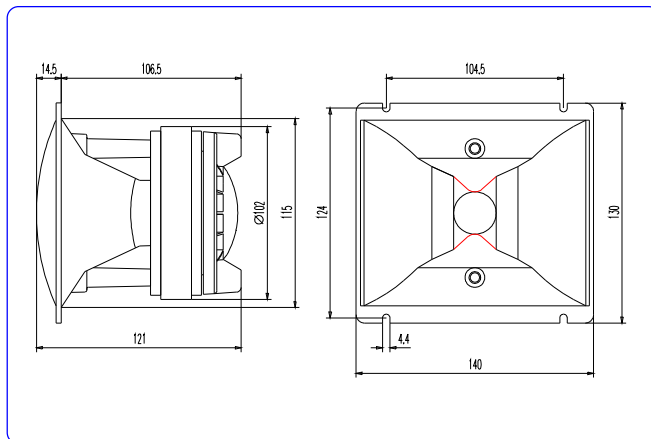
#### FREE AIR IMPEDANCE CURVE



### TECHNICAL SPECIFICATIONS

<b>Rated impedance</b>	8 ohms.
<b>Minimum impedance</b>	5.2 ohms. @ 4 kHz
<b>D.C. Resistance</b>	5.6 ohms.
<b>Power capacity *</b>	50 w AES above 1.5 kHz
<b>Program power</b>	100 w above 1.5 kHz
<b>Sensitivity **</b>	107 dB 1w @ 1m
<b>Frequency range</b>	0.8 - 18 kHz
<b>Recom. crossover</b>	1.5 kHz or higher, 12 dB/ oct. min.
<b>Dispersion H x V</b>	80° x 60°
<b>Voice coil diameter</b>	44.4 mm. 2.64 in.
<b>Magnetic assembly weight</b>	1.2 kg. 0.85 lb.
<b>Flux density</b>	1.65 T
<b>BL factor</b>	8.5 N / A

### DIMENSION DRAWINGS



#### Notes:

\*The power capacity is determined according to AES2-1984 (r2003) standard. Program power is defined as the transducer's ability to handle normal music program material.

\*\*Sensitivity was measured at 1 m distance, on axis, 1 w input, averaged in the range 1-7 kHz.

### MOUNTING INFORMATION

<b>Overall dimensions</b>	140 x 130 mm.	5.51 x 5.12 in.
<b>Depth</b>	121 mm.	4.76 in.
<b>Baffle cutout dimensions</b>	130 x 115 mm.	5.12 x 4.53 in.
<b>Net weight</b>	1.5 kg.	3.3 lb.
<b>Shipping weight</b>	1.7 kg.	3.74 lb.

### MATERIALS

- **Diaphragm:** mylar.
- **Voice coil:** edgewound aluminium ribbon.
- **Voice coil former:** polyimide.
- **Magnet:** ferrite.



acústica beyma, s.a.