

KEY FEATURES

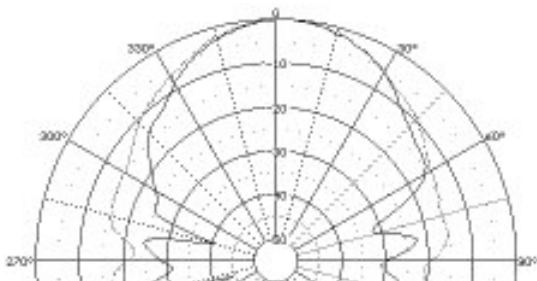
- High sensitivity: 101 dB
- Extended frequency range: 1 - 20 kHz
- Extremely linear frequency response
- Low harmonic distortion
- 1" aluminium voice coil with polyimide former
- Neodymium magnet
- Good power handling: 15 w AES above 1.5 kHz



GENERAL DESCRIPTION

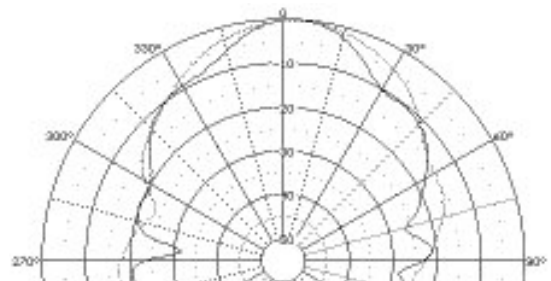
This soft dome tweeter is designed for good quality high frequency reproduction in two or three way cabinets. It features an small horn in order to improve sensitivity and control dispersion. Moreover, the use of a neodymium magnet contributes to achieve an specially high sensitivity (101 dB). In spite of this sensitivity, the distortion is maintained very low, obtaining a very clean sound. By the other hand, this tweeter can be used with a quite low crossover frequency (1.5 kHz) making it useful for many different two way applications.

HORIZONTAL POLAR PATTERN



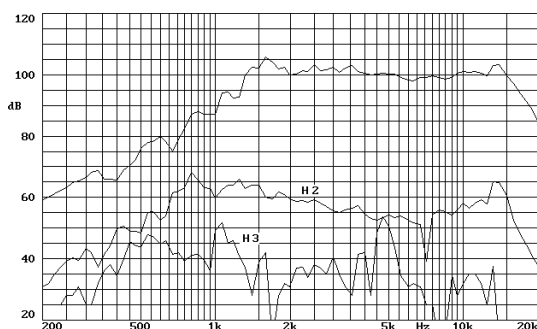
Note: Discontinuous line: 6 kHz, Heavy line: 12 kHz

VERTICAL POLAR PATTERN

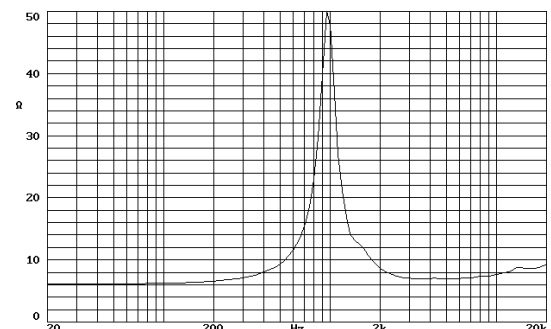


Note: Discontinuous line: 6 kHz, Heavy line: 12 kHz

FREQUENCY RESPONSE AND DISTORTION CURVES



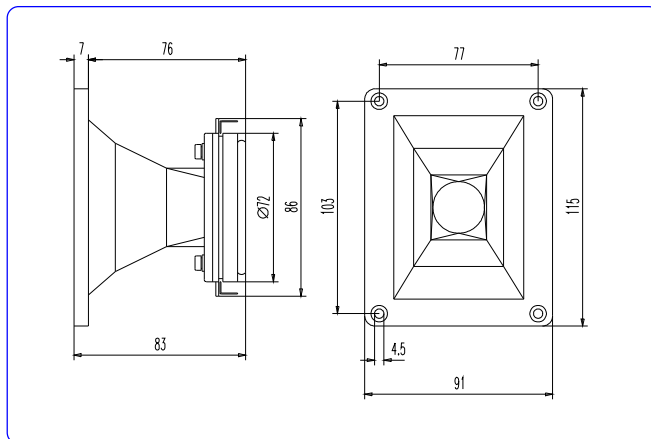
FREE AIR IMPEDANCE CURVE



TECHNICAL SPECIFICATIONS

Rated impedance	8 ohms.
Minimum impedance	7 ohms. @ 3.3 kHz
D.C. Resistance	6 ohms.
Power capacity *	15 w AES above 1.5 kHz
Program power	30 w above 1.5 kHz
Sensitivity **	101 dB 1w @ 1m
Frequency range	1 - 20 kHz
Recom. crossover	1.5 kHz or higher, 12 dB/ oct. min.
Dispersion H x V	50° x 50°
Voice coil diameter	25.8 mm. 1 in.
Magnetic assembly weight	0.39 kg. 0.85 lb.
Flux density	2 T
BL factor	5.6 N / A

DIMENSION DRAWINGS



Notes:

*The power capacity is determined according to AES2-1984 (r2003) standard. Program power is defined as the transducer's ability to handle normal music program material.

**Sensitivity was measured at 1 m distance, on axis, 1 w input, averaged in the range 3-15 kHz.

MOUNTING INFORMATION

Overall dimensions	115 x 91 mm.	4.53 x 3.58 in.
Depth	83 mm.	3.26 in.
Baffle cutout dimensions	85 x 62.5 mm.	3.34 x 2.46 in.
Net weight	0.5 kg.	1.1 lb.
Shipping weight	0.6 kg.	1.32 lb.

MATERIALS

- **Diaphragm:** supronyl.
- **Voice coil:** aluminium.
- **Voice coil former:** polyimide.
- **Magnet:** neodymium.



acústica beyma, s.a.